

Switched Power Unit PU-21



- Voltage supply 115 or 230 VAC
- Output power 8 W
- Adjustable switched voltage output 5-24 VDC
- Short circuit proof
- Thermic load protection
- Standard 11-pole relay socket

Range of applications:

Power supply for small measuring equipments.
Battery charging with constant voltage.

Technical characteristics:

Secondary switched DC-voltage coverage with built-in low profile transformer of 10 VA.

Voltage supply 115 or 230 VAC.

Output voltage 5-24 VDC adjustable with 25-turns potentiometer in the front of the cassette.

The power unit is short circuit proof and protected against thermal over load. The primary side is fused with a PTC-resistor which returns to normal condition when the source of error has been re-set and the component has cooled down.

A LED in the front indicates an active DC-output.



Electrical specifications:

Supply voltage:	115, 230 VAC \pm 10% ,50-60 Hz
Power consumption:	Max. 16 VA
Output voltage:	5-24 VDC, Max. 8 Watts
Output current (voltage):	Max. 500 mA(5-16 V), 330 mA(24 V) \pm 10%, see rear panel.
Rippel / Noise:	Max 50 mV _{t-t}
Rippelfrekvens:	52 kHz
EMC-data:	EN50 081, emission, EN50 082, immunity
Ambient temperature:	-20 to +50 °C



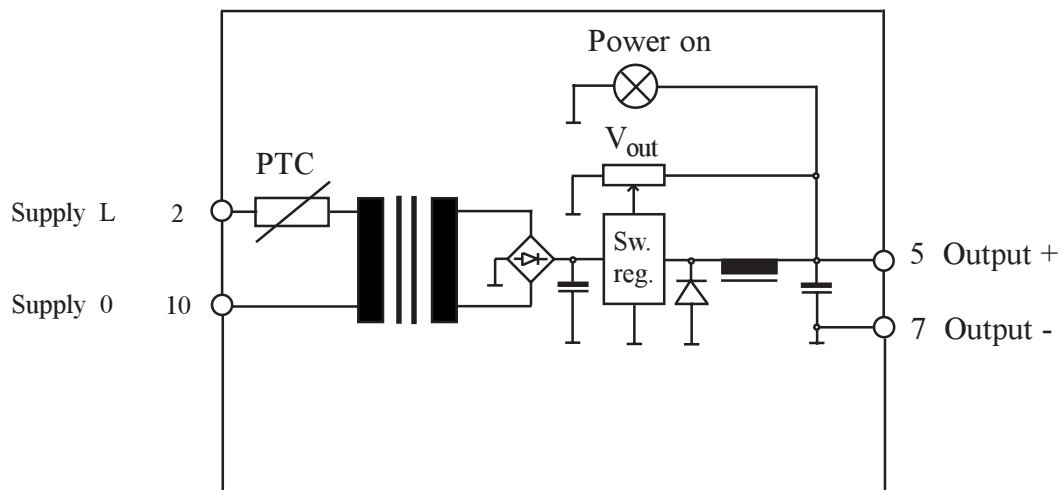
Bangatan 15
S-273 34 Tomelilla
Sweden
www.anatronic.se

Phone +46 417 144 11
Fax +46 417 142 55
info@anatronic.se

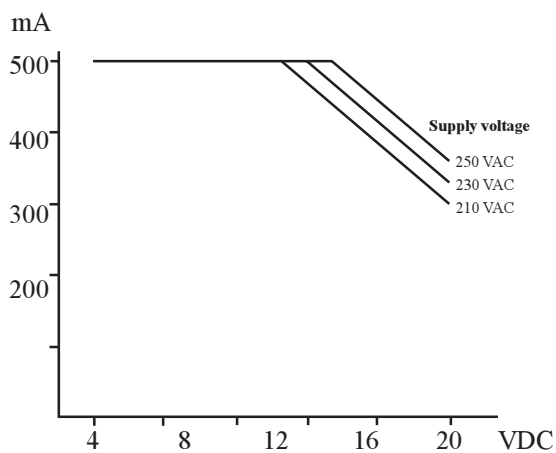
Article: PU-21 - Output voltage - Supply

Output voltage		Supply	
24 VDC	-24	115 VAC	-115
5 VDC	-15	230 VAC	-230
12 VDC	-12		
5 VDC	-05		

Block diagram:



Relation mA/VDC:



Mechanical Specifications:

